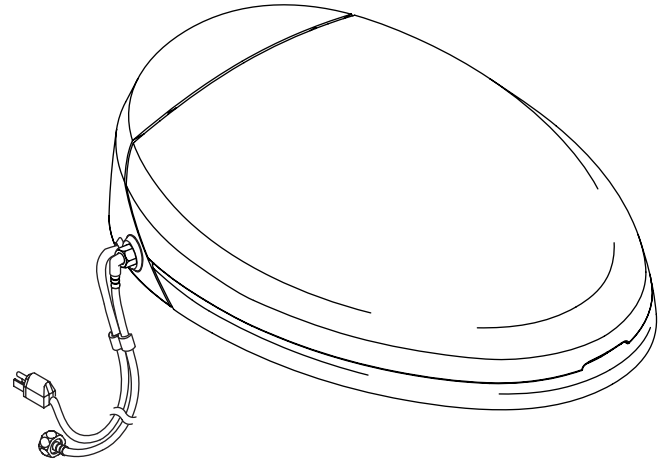


Features

- Elongated closed front seat fits most elongated toilets
- Continuously heated water with adjustable temperature settings
- 2 positionable spray wands with adjustable water pressure, osillate, and pulsate functions
- Heated seat with adjustable temperature settings
- Air blower function allowing selection of air speed and temperature
- Automatic deodorization function
- Automatic night light function to illuminate the bowl
- Remote control with 2 programmable user presets to store preferred settings
- Energy save function
- Anti-microbial materials used in seat and nozzles
- Quick-release design for ease of cleaning
- Includes color-matched remote, power cord, and water supply hoses

TOILET SEAT WITH BIDET FUNCTIONALITY K-4709



Codes/Standards Applicable

Specified model meets or exceeds the following:

- IAPMO/cUPC
- ASME 112.4.2
- ANSI Z124.5
- Underwriter's Laboratories (UL, cUL)

Colors/Finishes

- 0: White
- Other: Refer to Price Book for additional colors/finishes

Specified Model

Model	Description	Colors/Finishes	
K-4709	Toilet seat with bidet functionality	<input type="checkbox"/> 0	<input type="checkbox"/> Other _____

Product Specification:

The toilet seat with bidet functionality shall fit most elongated toilets. Toilet seat shall have continuously heated water with adjustable temperature settings. Toilet will have 2 positionable spray wands with adjustable water pressure, osillate, and pulsate functions. This toilet seat shall be of energy saving design and include heated seat, water temperature, and air speed controls. Toilet seat will have automatic deodorization and night light functions. The remote control shall be programmable and capable of storing 2 sets of custom user settings. Toilet seat shall be constructed of anti-microbial materials and incorporate a quick-release design for ease of cleaning. Toilet seat shall include a color-matched remote, power cord, and water supply hoses. Toilet shall be Kohler Model K-4709-_____ .

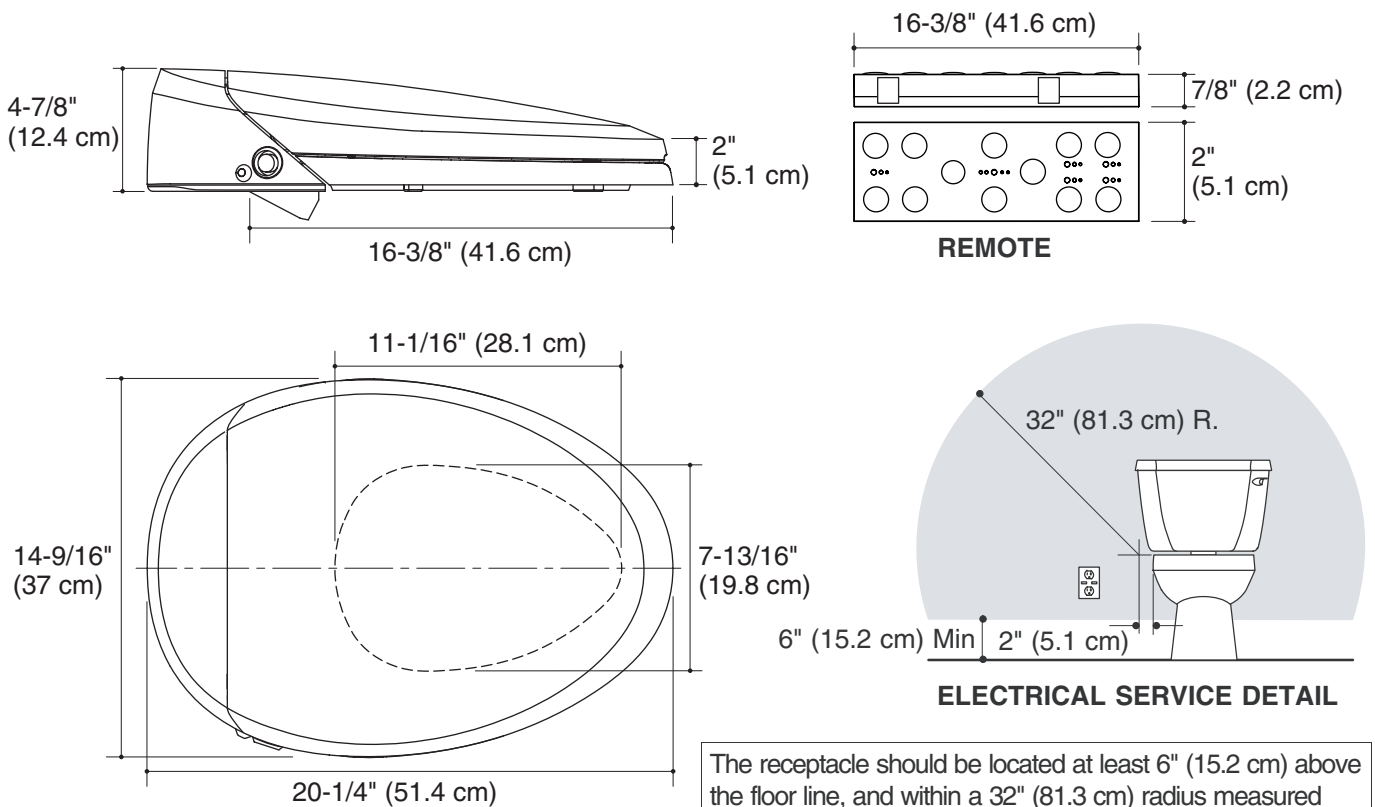
C³™ - 200

Technical Information

Fixture:	
Water supply pressure	20 psi (1.38 bar) - 80 psi (5.52 bar)
Electrical rating	120 VAC / 60 Hz / 1260 W
Power cord length	46" (1.17 m)
A dedicated circuit protected with a Class A Ground-Fault Circuit-Interrupter (GFCI) or Earth-Leakage Circuit Breaker (ELCB) is required.	

Installation Notes

Install this product according to the installation guide.



Product Diagram